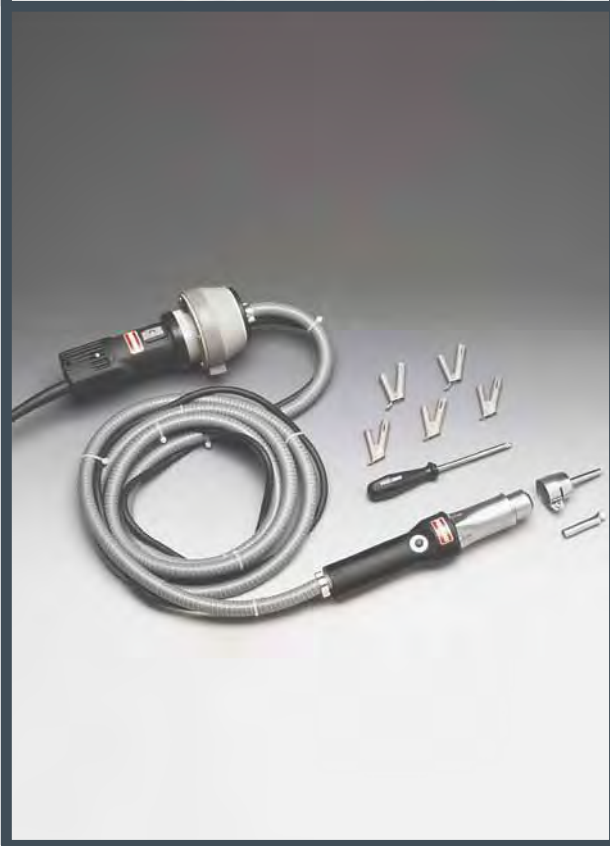
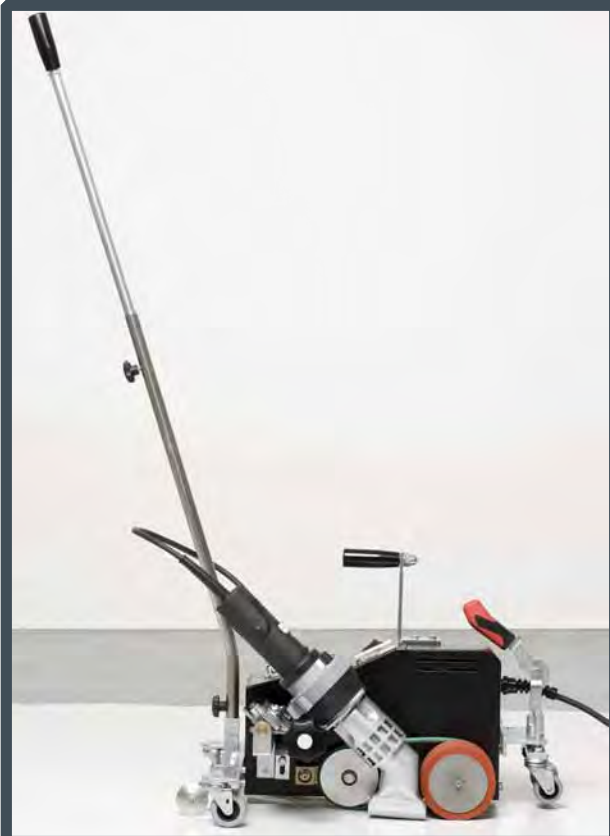


FORSTHOFF TOOLS

The Best Choice in Hot Air Tools



Hot Air Welders

THE QUICK-SE HOT AIR TOOL

The versatile Quick-SE is a light, handy, tried and tested hot air welding tool.

Ergonomic Handle Design. This Quick-SE hot air tool features a tapered handle for ease of handling and use. Ergonomically designed to make doing the job easier.

FEATURES

- Well balanced motor to prevent vibration
 - Large air output— 300 l/min
 - Broad line of easily installed nozzles that are compatible with similar tools
 - Large air intake to keep tool cool
 - Replace brushes from outside the tool— no need to disassemble
 - Easily replaced power cord should it become damaged
 - Generates its own air with built-in blower and motor
 - Electronic variable temperature control up to 1290°F (700°C)
 - Snug fitting ceramic element to prolong element life
 - Overall light weight— 2 lbs, 10 oz
 - Small handle for ease of use— ergonomically designed to make the job easier
 - 12-month warranty on parts and workmanship (excluding the element)



Specifications	
Voltage	120 V, 50/60 Hz AC or 230 V, 50/60 Hz
Heating Capacity	1600 Watts. 120 V (1500 Watts, 230 V)
Current	Maximum 10 Amps
Air Output	300 l/min
Pressure	28 mbar
Temperature	68 – 1290°F (20 – 700°C) infinitely variable
Weight	2 lbs, 10 oz
Cable	9 feet, 8 inches
Dimensions	12¼" long, 2" to 2¼" at base handle grip
Marked	CE GS S
Double Insulated	☐

Model#	
F0151S	Quick-S (Electronic), 1600W 120 V
F0155S	Quick-S (Electronic), 1500W 230 V
F0154S	Quick-S (Electronic), 1300W 120 V
Heating Elements	
F2008	Heating Element (1300 watts)
F2011	Heating Element (1600 watts)
F2007	Heating Element (1500 watts 230V)

See page 4 for additional accessories.

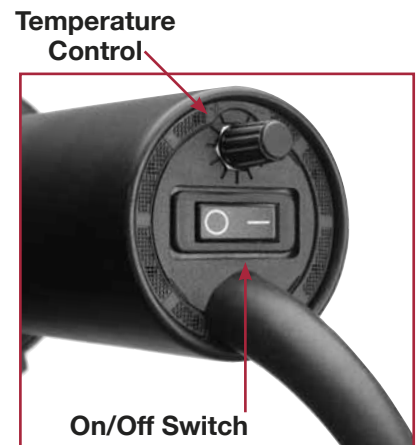
Hot Air Welders

THE TUBE-Q HOT AIR TOOL

With tube handle design and double fan for even more air flow. Using the same high quality reliable German-made parts as the Quick-SE, the Tube-Q welder offers you a choice in handle designs. Converts to a hand-held plastic welder with the addition of accessories.

APPLICATIONS

- Roof seam welding
 - Flooring installations
 - Repairing and making truck tarpaulins and awnings
 - Overlap welding of vinyls and coated fabrics
 - Tank construction
 - Heating thermoplastics for forming and bending
 - Drying
 - Installing pool liners, roofing and flooring
 - Automotive manufacturing processes
 - Shrinking tubing, molded parts, sleeves, etc.
 - Defrosting and warming
 - Activating adhesives







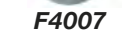





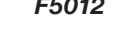


Model#	
F0151T	Tube-Q (Electronic), 1600W 120 V
F0155T	Tube-Q (Electronic), 1500W 230 V
F0154T	Tube-Q (Electronic), 1300W 120 V
Heating Elements	
F2008	Heating Element (1300 watts)
F2011	Heating Element (1600 watts)
F2007	Heating Element (1500 watts 230V)

See page 4 for additional accessories.



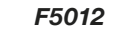




FORSTHOFF tools
for quality and reliability... at a reasonable price.

ACCESSORIES for QUICK-SE, TUBE-Q MINI-ELECTRONIC & HAND-HELD HOT AIR TOOLS

Nozzles For Quick-SE, Tube-Q, Mini-Electronic & Hot Air SE









F4000	5mm Round Nozzle		F4000
T4002	20mm Flat Nozzle		T4002
T4003	40mm Flat Nozzle		T4003
F4004	40mm Flat Nozzle, Perforated		F4004
F4005	15mm Round Shrinking Nozzle		F4005
F4006	20 x 5mm Shrinking Nozzle		F4006
F4007	M10 Adaptor Nozzle for Welding		F4007
F4008	10mm Round Soldering Nozzle		F4008
FX402	20mm Flat Nozzle with 90° angle		FX402
T4060	20mm Flat Nozzle with 60° angle		T4060
T4600	60mm Flat Nozzle		T4600
T4800	80mm Flat Nozzle		T4800
F5016	Shrinking Reflector		F5016

Speed Welding Nozzles Push-on for F4000 Adaptor

F5010	3 mm Round Welding Tip		F5010
F5011	4mm Round Welding Tip		F5011
F5012	5mm Round Welding Tip		F5012
F5000	5.7mm Triangular Welding Tip		F5000
F5001	7mm Triangular Welding Tip		F5001
F5014	7.5mm Triangular Welding Tip		F5014
F5015	Tacking Tip		F5015

F9136 Carbon Brush Set

Speed Welding Nozzles Threaded for F4007 (M10)

F5005	3mm Round Welding Tip		F5005
F5006	4mm Round Welding Tip		F5006
F5007	5mm Round Welding Tip		F5007
F5002	5.7mm Triangular Welding Tip		F5002
F5003	7mm Triangular Welding Tip		F5003
F5009	7.5mm Triangle Welding Tip		F5009
F5004	Tacking Tip		F5004
F5017	Tacking Tip hooked		F5017

Pressure Rollers and Accessories

T6997	45mm Pressure Roller, 1-axle		T6997
F6995	45mm Pressure Roller, 1-axle, 45° angle (Pat.)		F6995
F6996	80mm Pressure Roller, 2-axles		F6996
F6998	45mm Pressure Roller, 2-axles		F6998
F7005	5mm Pressure Roller for Round Rod		F7005
F7009	9mm Custom Seal Pressure Roller		F7009
F7010	Quarter-moon Knife		F7010
F5021	Weld Seam Slide (for use with Quarter-Moon Knife)		F5021
GH300	Handheld Floor Groover		GH300
F7012	Metal Carrying Case		F7012



Roller with Padded Handle and Tester

Seam roller and tester for overlap welding— padded handle for rolling seams with hot air gun, test seams by running the tester along seam edge.

Use the flat end to tamp down T-joints and the blunt tip to lift material for seaming in tight areas.



E5032 45mm Padded Handle Roller with Tester

Roller with Cushioned Grip

Ergonomic cushion gives more comfortable gripping surface. Extended offset fork helps keep hands away from heat source.



E5029 45mm Padded Handle Roller

Hot Air Welding Kits

Roofing Kit

- **F0151S** QUICK-SE(electronic)* 110V 1600W
- **T4003** Nozzle 40mm, flat
- **T4002** Nozzle 20mm, flat
- **E5032** Padded Roller with Seam probe
- **F2011** Heating Element 120V 1600W
- **DC66000** Scissors, 10" ergonomic grip
- **FG4687** UV anti-fog safety sunglasses
- **TB-101** Toolbox for Welding Kit, metal

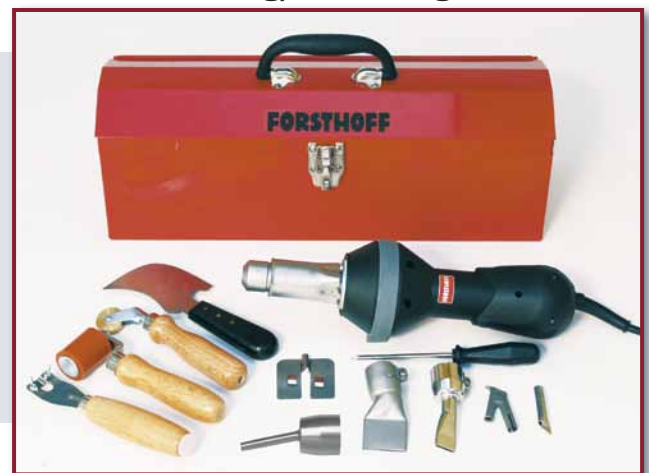
F0151KR Roofing Kit



Flooring/ Decking Kit

- **F0154S** QUICK-SE (electronic)* 110V 1300W
- **T4003** Nozzle 40mm, flat
- **T4000** Nozzle 5mm, round
- **F5012** 5mm, round Push-on Speed Welding Nozzle
- **F5015** Push-on Tacking Tip
- **T6997** Pressure roller 50 mm, 1 axle
- **F7005** Pressure roller 5 mm, for round rod
- **F7010** Quarter-moon knife
- **F5021** Weld seam slide
- **F7011** Grooving Tool
- **TB-101** Toolbox for Welding Kit, metal

F0154KD Flooring/Decking Kit



General Repairs Kit

- **F0154S** QUICK-SE (electronic)* 110V 1300W
- **T4003** Nozzle 40mm, flat
- **T4002** Nozzle 20mm, flat
- **F4000** Nozzle 5mm, round
- **F5012** 5mm, round Push-on Speed Welding Nozzle
- **F5015** Push-on Tacking tip
- **T6997** Pressure roller 45mm, 1 axle
- **TB-101** Toolbox for Welding Kit, metal

F0154KW General Repairs Kit



*All kits also available with Tube-Q (Electronic) Welder upon request.

MINI-ELECTRONIC

Compact, Lightweight Hot Air Welder



Model F1023 with Blower F0997



Tips and blower sold separately

Ideal for plastic fabricators and tank manufacturers because of its light weight and ease of use. The totally insulated Mini-Electronic hot air welder has a heating capacity of 1300 Watts, 120 V. The heat is infinitely variable from 68 to 1290°F and is kept constant electronically. The required air supply can be provided by a compressor or shop air. An additional control regulates the air supply. For building sites and outdoors, a hand transportable blower, model F0997, will supply the necessary air.

This unit is particularly useful in welding plastic sheeting, pipes, fittings and tank fabrication because of its easy-to-handle size.

Push-on welding tips work with the 5mm nozzle.

The M10 adaptor nozzle with threads enables screw-on welding tips to be used in welding operations.

Please see accessories on page 4.

When used with compressed air source, air regulator and filter recommended.







Specifications	
Voltage	120V, 50/60 Hz 230V
Heating capacity	1300 Watts 120V 1500 Watts 230V
Temperature	68 – 1290°F infinitely variable
Air requirements	80 – 250 liters/min. (3 - 5 psi)
Hose Length	9 ft.
Marks	CE

Model#	Description
F1023	Mini-Electronic Hot Air Welder 120V, 1300W
F1020	Mini-Electronic Hot Air Welder 230V, 1500W
F0997	Hand Blower for Mini-E
F2008	Heat element 1300W
F4000	5mm round nozzle
F5010	3mm Push-On tip/round
F5011	4mm Push-On tip/round
F5012	5mm Push-On tip/round
F5000	5.7mm Triangular push-on tip
F5001	7mm Triangular push-on tip
F5015	Push-on tacking tip
F4007	M10 Round adaptor nozzle
F5005	3mm round thread for M10
F5006	4mm round thread for M10
F5007	5mm round thread for M10
F5002	5.7mm Triangular threaded tip
F5003	Tacking tip hooked
F5004	Tacking tip thread for M10
F5017	Tacking tip hooked

QUICK-L NON-ELECTRONIC HOT AIR TOOL

These low-cost tools are specially designed for tarpaulin, tent, awning fabricators and automotive upholsterers who weld one type of material in one overlap width. This tool features your choice of one or two permanent heat settings and one cool setting for cooling the unit after use. It is easy to use with its ergonomic design and constant heat for the job at hand.

When necessary, its brushes are easily replaced without disassembling the tool.

Specifications	
Double insulated	
Voltage	120 V, 50/60 Hz
Temperature	Selectable in 1 or 2 permanent heat settings
Weight	2 lbs, 10 oz
Marks	   

Model	Description
F0153	Robust-L Hot Air Tool 1300 W (1 heat setting)
F0253	Robust-L Hot Air Tool 1600 W (1 heat setting)
F0298	Quick-L Hot Air Tool 1600 W (2 heat settings) (630W or 1300W Element recommended for use with 20mm nozzle)
F2008	Heating Element (1300 Watt)
F2011	Heating Element (1600 Watt)

Please see page 4 for additional accessories.



HOT AIR SE

Handy, extremely powerful hot air welder


This powerful tool has extremely high heating capabilities for welding roofing membranes, sealing waste dump and pond geomembranes and fabricating heavy duty tarpaulins. Used by the automotive industry to dry out filler and to activate plastic parts. Available in either 120V or 230V versions with temperature electronically controlled from 20 to 700°C (68 to 1290°F).

This is a robustly designed and efficient tool widely used in industrial applications. A full line of accessories for heavy duty welding of sheeting and tarps is available.

When necessary its brushes are easily replaced without dismantling the tool.

Model#	Description
F0150S	Hot Air SE (Electronic), 2200W, 120V
F1045S	Hot Air SE (Electronic), 3000W, 230V

Accessories	
F3064	3000 W Heating Element, 230 V
F3066	2200 W Heating Element, 120 V
T4800	80-mm Flat Nozzle
T4003	40-mm Flat Nozzle
T6997	45-mm Pressure Roller, 1-axle
F6996	80-mm Pressure Roller, 2-axes
F6995	45-mm Pressure Roller, 1-axle, 45° angle (Pat.)
F7012	Metal Carrying Case

Specifications	
Double Insulated	<input type="checkbox"/>
Voltage	120 V or 230 V, 60 Hz
Heating capacity	3000 Watts, 230 V 2200 Watts, 120 V
Cable	9' 10"
Weight	2 lbs, 11 oz
Mark	

Applications

- Roofing industry
- Waste dump sheeting
- Pond sheeting
- Heavy duty tarpaulins
- Automotive industry



Handheld Hot Air Tools

THE TUBE-G HOT AIR TOOL

With tube handle design and double fan for even more air flow. Using the same high quality reliable German-made parts as the Grand-SE, the Tube-G-Electronic offers you a choice in handle designs to fit your preference.

APPLICATIONS

- Roof seam welding
- Flooring installations
- Repairing and making truck tarpaulins and awnings
- Overlap welding of vinyls and coated fabrics
- Tank construction
- Heating thermoplastics for forming and bending
- Drying
- Installing pool liners, roofing and flooring
- Automotive manufacturing processes
- Shrinking tubing, molded parts, sleeves, etc.
- Defrosting and warming
- Activating adhesives

Model#	
F1040T	Tube-G (Electronic) 3000W 230V, 20mm
F1043T	Tube-G (Electronic) 3400W 230V, 20mm
F1041T	Tube-G (Electronic) 3400W, 230V, 50mm
F1030	Tube-G Non-Electronic with 3 heat settings (2600W, 230V)



GRAND-SE HOT AIR TOOL

The powerful hot air blowers for trade and industry

- This hot air blower can be hand held or built into a machine for continuous operation.
- For use wherever hot air is needed for warming, heating, forming, shrinking or activation.
- Air flow rate of 450 liter/minute depending on the nozzle used.
- Available in two versions: 1) Grand SE (electronic) with variable temperature from room temperature to 650°C (1200°F). 2) Grand L with three heat settings
- Brushes are easily changed from the outside without opening the tool.
- For the painting and decorating industry, the wide slot push-on nozzle removes old paint and varnish easily.



Specifications	
Double Insulated	<input type="checkbox"/>
Voltage	120 or 230 V, 50/60 Hz
Heating Capacity	2200 Watts or 3000 Watts
Temperature	Variable 20 - 650°C electronically controlled
Air flow rate	450 liters/min depending on nozzle used
Weight	2 lbs, 11 oz
Cable	9 ft, 10 inches
Mark	CE

Model#	Description
F0149S	Grand-SE (2200W, 120V) 20mm
F1043S	Grand-SE (3400W, 230V) 20mm
F1040S	Grand-SE (3000W, 230V) 20mm
F0142S	Grand-SE (3000W, 230V) 50mm
Heating Elements	
F3065	3400W Heating Element 230V
F3064	3000W Heating Element 230V
F3066	2200W Heating Element 120V
Accessories	
F4030	70 x 10mm Wide Slot Nozzle
F4031	70 x 4mm Wide Slot Nozzle
F7012	Metal Carrying Case

TYPE 3000E HOT AIR TOOLS

Modern hot air tools for numerous applications...

- Electronically controlled infinite heat settings in 230V AC or 380V
- Heating capacity 3000 W for a maximum temperature of 700°C (1290°F)
- Requires external air supply
- Suitable for continuous duty
- Used on conveying systems, in machines, in heating ducts and in various apparatus
- Push-on nozzles available for various applications



Replacement Heating Elements	
F3060	3000 Watts, 230 V
F3061	3000 Watts, 380 V

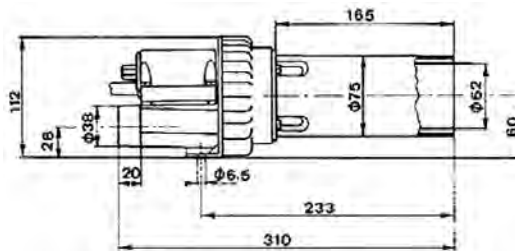
Specifications	
Voltage	230 V AC or 380 V
Single Phase	
Heating Elements	Type 3000E electronically controlled: 3000 Watt, 230 V 3000 Watt, 380 V
Marks:	

Model#	Description
F1072	Type 3000E Hot Air Tool, 230V, 3000 W
F1074	Type 3000E Hot Air Tool, 380V, 3000 W
F1076	Type 3000E Hot Air Tool, 120V, 1900 W
Accessories	
F4012	50mm Nozzle, Type 3000E
F4015	20mm Nozzle, Type 3000E
F4021	150 x 1mm Wide Slot Nozzle, Type 3000E
F4022	150 x 10mm Wide Slot Nozzle, Type 3000E

TYPE 7500 HOT AIR TOOL

The "flagship" of our hot air tools

- Suitable for installation in machines, heating ducts, on conveyor lines, or in apparatus because of its robust and compact design
- Heating capacity electronically controlled and infinitely variable
- Available in 5000-Watt or 7500-Watt version— also available without electronics
- Maximum temperature 700°C (1290°F)
- Operates with external air supply
- Virtually no maintenance
- Suitable for continuous duty
- Wide slot nozzles up to 300mm are available to adapt the air flow to the individual application



Replacement Heating Elements	
F3200	5000 Watts, 230 V
F3210	5000 Watts, 380-440 V
F3220	7500 Watts, 380-440 V

Specifications	
Voltage	230-240 V 380-440 V
Single Phase	
Heating Capacity	5000W- 230-240V 5000W- 380-440V 7500W- 380-440V
Mark	

Model#	Description
F6000	Type 7500 Hot Air Tool, 230-240 V, 5000 W
F6002	Type 7500 Hot Air Tool, 380-440 V, 5000 W
F6004	Type 7500 Hot Air Tool, 380-440 V, 7500 W

Accessories	
F4023	200 x 5-mm, Wide Slot Nozzle, Type 7500
F4024	300 x 5-mm, Wide Slot Nozzle, Type 7500

More Process Heat Options,
Information and Accessories
available at
ForsthoffTools.com

Automatic Overlap Welders



FORPLAST-B TAPE WELDING MACHINE

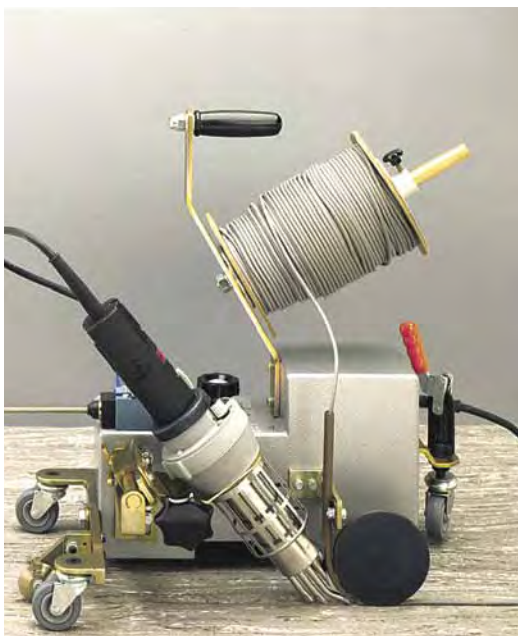
The powerful automatic tape welder

- A powerful welder for 50mm or 70mm tapes.
- Features a powerful motor and heavy duty housing for maximum speed and pressure.
- Starts automatically when the welding head is moved into position.
- Three-point surface contact compensates for an uneven surface.
- Speed infinitely variable to suit different materials.
- Enables welding of 50mm or 70mm wide tapes. Select maximum temperature during welding process. Extra wide tape welding nozzle welds the tape across its width followed by the extra wide pressure roller.

Specifications:	
Voltage:	230 V, 50/60 Hz, 4000 Watts
Temperature:	Electronically variable up to 1290°F (700°C)
Welding speed:	Webbing tapes 3 to 4 meters/min
Mark:	CE

Model#	Item
F1086	Forplast-B 50mm Tape Welder 4000W for Welding Tapes with 50mm Nozzle
F1085	Forplast-B 70mm Tape Welder for Welding Tapes with 70mm Nozzle
F3071	Heating Element 4000 Watt, 230 V

Forplast-Reinforced Tape Welder also available-
See ForsthoffTools.com for tape width of 100mm, 125mm and 150mm



FORPLAST-F AUTOMATIC FLOOR WELDING MACHINE

Optimum for sealing floors to protect against moisture and mold

- Suitable for welding both PVC floor covering as well as fusion welding and sealing of linoleum.
- Infinite speed variation from:
0 to 19 meter/minute,
PVC flooring— 9 to 12 meters/min
Linoleum— 5 to 7 meters/min
- Precise uncoiling of the welding rod is ensured by a high temperature resistance coating on the pressure roller and rod guide. The unwinder fits all standard rod spools.
- Fully equipped for welding.
- Features a cut-out facility.
- Starts automatically when the welding head is moved into position.
- Three-point contact with the surface insures precise movement.

Specifications:	
Voltage:	120 V, 50/60 Hz, 1900 Watts
Temperature:	68 – 1290°F (20 – 700°C) electronically variable
Marked:	GS CE

Model#	Item
F1201	FORPLAST-F Automatic Welder for Flooring, 120 V
F3047	Heating Element, 1900 W, 120 V

More Automatic Welders at www.ForsthoffTools.com



Efficient and maneuverable

FORPLAST-P2

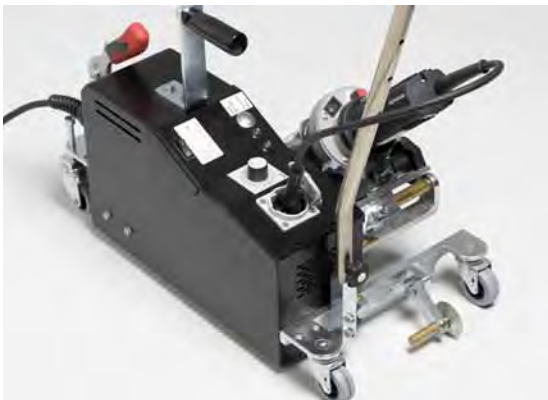
the **NEW** AUTOMATIC WELDING MACHINE

The FORPLAST-P2 replaces the successful FORPLAST-P model that has been put to effective use in the tent, tarpaulin, advertising banner and industrial fabrics industries for 25 years.

The experience gained and the enhancements made to the FORPLAST-P are reflected in the new FORPLAST-P2. The FORPLAST-P2 offers innovative features such as:

- Narrow and maneuverable for crease-free welding
- Telescopic guide handle that can be conveniently adjusted to the user's body height
- A new generation of nozzles for faster welding at up to 11m/min for 20mm overlap welds
- Modern generation of gear motors providing a speedy and powerful drive for the welder.

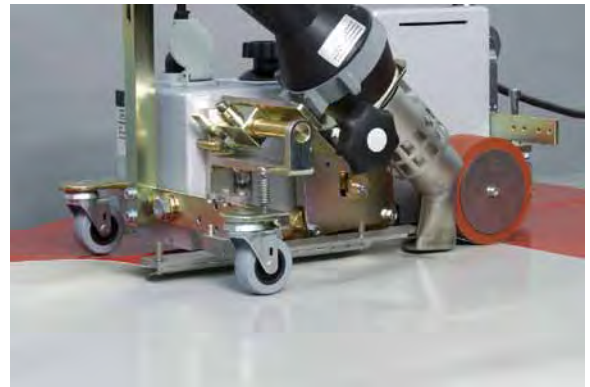
The new FORPLAST-P2 is a universal welder and is available in four selectable basic models for 20, 30, 40 or 45mm overlap welding. In addition, the FORPLAST-P2 is easy to convert to an alternative overlap width for seam welding, webbing welding and wetting ropes or cords.



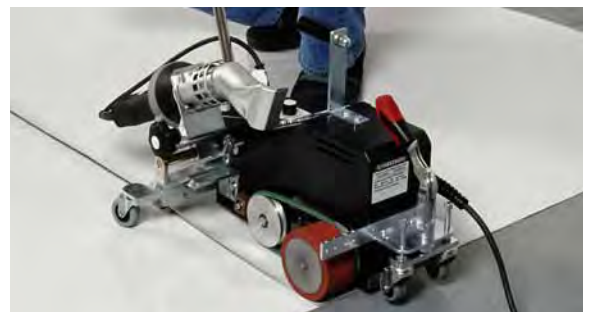
F1113 Hem Guide

The hem guide folds the material over into a welding position as the machine automatically rolls forward, allowing the blower heat and pressure wheel to create a consistent, strong hem along the edge of the material.

Convert the P2 to tape welder with 50mm Tape Kit F1091P2



Model#	Item
F1100P2	P2 Automatic Welder - 20mm Overlap Welding, 2 x 1700W, 230V
F1101P2	P2 Automatic Welder - 45mm Overlap Welding, 2 x 2000W, 230V
F1106P2	P2 Automatic Welder - 30mm Overlap Welding, 2 x 1700W, 230V
F1090P2	P2 Automatic Welder - 50mm Tape Welding, 2 x 2000W, 230V
F1116P2	Nozzle 20mm overlap welding
F1117P2	Nozzle 45mm overlap welding
F12900P2	Nozzle 30mm overlap welding
F3070P2	Heating element 2 x 1700W 230V
F3071P2	Heating element 2 x 2000W 230V
F1091P2	Tape welding kit 50mm including set of weights
F11240P2	Pressure roller cedar welding
F11241P2	Set of weights
F1113P2	Hem welding kit for 20mm and 30mm hems
F1109P2	Hem welding kit for 40mm and 45mm hems



Specifications	
Voltage	230 V, 50/60 Hz
Temperature	68 - 1290°F (20 – 700°C) infinitely variable
Weight	38.5 lbs. with 23' (7m) connection cable
Dimensions	21 x 11 x 13¾ inches
Marks	

